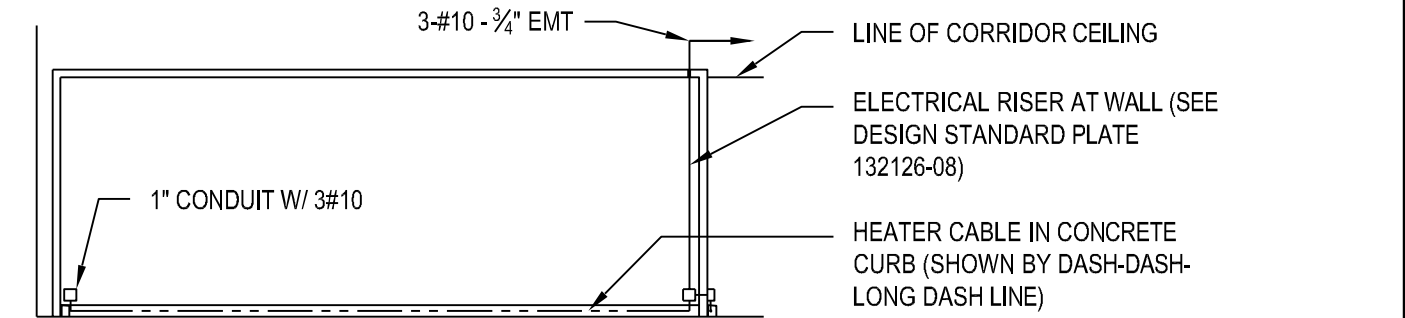
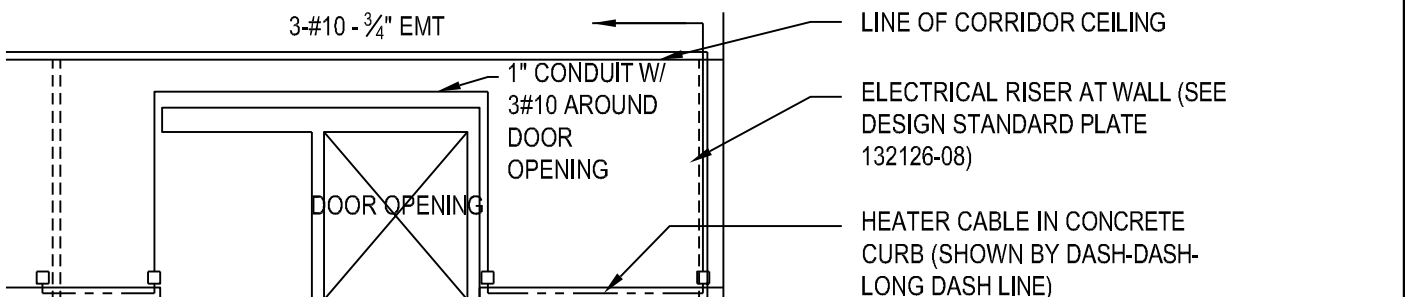


PLAN



ELEVATION (COOLER - RM 67)



ELEVATION (VESTIBULE - RM 21)

DATE	DEFENSE COMMISSARY AGENCY DIRECTORATE OF ENGINEERING FORT LEE, VIRGINIA - LACKLAND AFB, TEXAS		DESIGN STANDARD
JUN 2022	TITLE	COLD STORAGE ROOMS CONCRETE CURB HEATER CABLE	132126-04
			REF.
			REV.